



ENGINE

Model	: ISUZU-AH-6HK1X
Type	: Water-cooled, 4 cycle, 6 cylinders, line type direct injection, turbocharger, intercooler, electronic diesel engine
Power	: 271HP / 2000 rpm SAE J1349
Max. Torque	: 1080 Nm / 1500 rpm
Displacement	: 7790 cc
Bore and Stroke	: 115 mm x 125 mm
Emission Class	: FAZ III-A (Tier III) *
This new engine complies with the Emission Regulations U.S. EPA Tier III, and and EU Stage III-A	

UNDERCARRIAGE

X Type Lower Frame Construction Pentagon Box Type Chassis	
Shoe	: Triple grouser
No. Of Shoes	: 2 x 50
No. Of Lower Rollers	: 2 x 9
No. Of Upper Rollers	: 2 x 2
Track Tensioning	: Hydraulic Spring Tensioning

CAB

- Wide cab and easy entrance
- Use of six viscomount cabin mountings that dampen the vibrations
- Cooled storage room
- Colourful, Easy to read TFT indicant monitor
- Glass holder, book and object storage pockets
- Full automatic digitally air-conditioner
- Overclass standarts on the visibility
- Pool type floor mat
- Improved operator's comfort through versatile adjustable seat
- Ergonomically redesigned cabin through relocated switch board, and re-styled travel pedals and levers
- USB connected MP3 player
- Easy to open the front sliding glass
- Front and rear sun visor
- Large storage areas
- Height adjustable joystick
- Improved seat to back angle
- The height adjustable seat armrests
- Opera Control System

TRAVEL AND BRAKERS

Travel	: Fully hydrostatic
Travel Motors	: Axial piston type
Reduction	: 3 stage planetary gear
Travel Speed	
High Speed	: 4.7 km/h
Low Speed	: 2.7 km/h
Max. Drawbar Pull	: 31.000 kgf
Gradeability	: 35° (%70)
Parking Brake	: Hydraulic multi disc type, integrated transmission

HYDRAULIC SYSTEM

Main Pump	
Type	: Double variable displacement axial piston pumps
Max. Flow	: 2 x 290 lt/dk
Pilot Pump	: Gear, 30 lt/dk
Relief Valves	
Attachment	: 330 kgf/cm ²
Power Boost	: 350 kgf/cm ²
Travel	: 350 kgf/cm ²
Swing	: 280 kgf/cm ²
Pilot	: 40 kgf/cm ²
Cylinders	
Main Boom	: 2 x 160 x 105 x 1.510 mm
Stick Cylinder	: 1 x 170 x 120 x 1.830 mm
Bucket Cylinder	: 1 x 150 x 105 x 1.060 mm

Opera Control System

• Easy-to-use control panel and menus	• Overheat prevention and protection system without interrupting the work.
• Improved fuel economy and productivity	• Automatic idling Selection of multi-language on control panel
• Automatical electric power-off	• Rear-view, arm-view camera (Optional)
• Maximum efficiency by selection of power and work modes	• Possibility to register 26 different operating hours
• Error mode registry and warning system	• Anti-theft system with personal code
• Hidromek Smartlink	• Real time monitoring of operational parameters such as pressure, temperature, engine load
• Automatic preheating	
• Automatical powerboost (Optional)	

SWING SYSTEM

Swing Motor	: Axial piston type integrated with shock absorber valves
Reduction	: 2 stage planetary gear box.
Swing Brakes	: Hydraulic multi disc type, automatic warnings
Swing Speed	: 9.1 rpm

CAPACITY

Fuel Tank	: 568 lt	Engine Oil	: 36 lt
Hydraulic Tank	: 250 lt	Swing Reduction	: 6 lt
Hydraulic System	: 455 lt	Travel Reduction	: 2x10 lt
Radiator	: 39 lt		

ELECTRICAL SYSTEM

Voltage	: 24 V
Battery	: 2 x 12 V x 150 Ah
Alternator	: 24 V / 50 A
Starting Motor	: 24 V / 5.0 kw

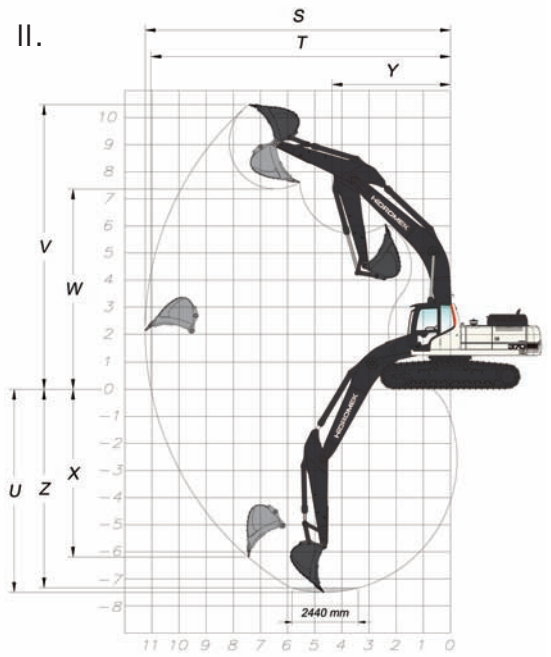
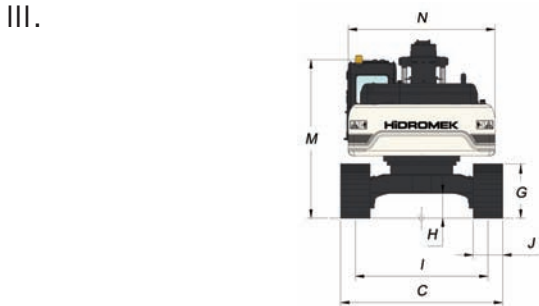
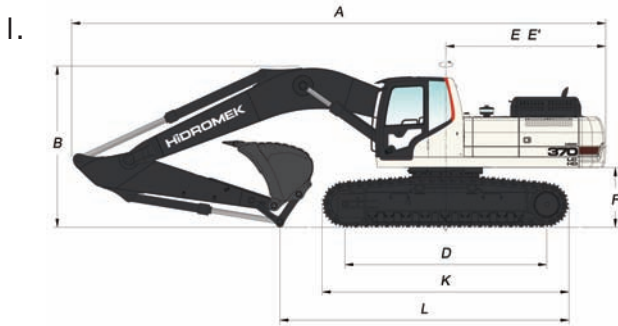
LUBRICATION

Centralized lubrication system is provided for lubrication all difficult-to-reach parts on the components, such as boom and arm

OPERATING WEIGHT

Standard machine operating weight (370 LC)	: 39.000 kg
Standard machine operating weight (370 NLC)	: 39.800 kg

HMK 370 LC HD



I. GENERAL DIMENSIONS

Boom Dimension	*6.100 mm	
Arm Dimension	2.200 mm	*2.600 mm
A - Overall Length	11.000 mm	10.930 mm
B - Overall Height (to top of boom)	3.810 mm	3.660 mm
C - Overall Width (LC)	*3.300 / 3.500 / 3.600 mm	
C - Overall Width (NLC)	*2.990 / 3.190 / 3.290 mm	
D - Idler Distance	4.240 mm	
E - Counterweight Distance	3.400 mm	
E' - Turning Radius	3.450 mm	
F - Upper Structure Ground Clearance	1.250 mm	
G - Crawler Height	1.090 mm	
H - Minimum Ground Clearance	505 mm	
I - Track Gauge (LC/NLC)	2.700 mm / 2.390 mm	
J - Shoe Width	*600 / 800 / 900 mm	
K - Overall Length of Crawler	5.190 mm	
L - Length Over Ground	8.260 mm	7.410 mm
M - Overall Height (to Top of Cab)	3.160 mm	
N - Upper Structure Width	2.990 mm	

* Standard

II. WORKING DIMENSIONS

Boom Dimension	*6.100 mm	
Arm Dimension	2.200 mm	*2.600 mm
S - Maximum Digging Reach	10.020 mm	10.350 mm
T - Maximum Digging Reach at Ground Level	9.780 mm	10.130 mm
U - Maximum Digging Depth	6.140 mm	6.540 mm
V - Maximum Digging Height	9.950 mm	10.030 mm
W - Maximum Dumping Clearance	6.780 mm	6.900 mm
X - Maximum Vertical Digging Depth	4.930 mm	5.090 mm
Y - Minimum Swing Radius	4.420 mm	4.100 mm
Z - Maximum Digging Depth (2440 mm level)	5.940 mm	6.350 mm

III. DIGGING PERFORMANCE

Standard Bucket Capacity	2.0 m ³ (SAE)
Bucket Digging Force (Power Boost) ISO	23.800 (26.000) kgf
Arm Crowd Force (Power Boost) ISO	20.300 (22.200) kgf



HİDROMEK®

FACTORY - HEAD OFFICE

Ayas yolu 25. km 1. Organize Sanayi Bölgesi Osmanlı Caddesi No: 1
06935 Sincan / ANKARA / TURKEY
Tel: (+90) 312 267 12 60 Fax: (+90) 312 267 12 39
www.hidromek.com

Notice:

Hidromek has the right to modify the specifications and design of the model indicated on this brochure without prior notice.